

STEAMIST®

Steam Generator

Models: TSG-7 and TSG-10

Features

Limited lifetime warranty - 2-year in home labor warranty where available

Generator typically can be installed up to 50 ft. from the bathing area

Selectable "Instamist"

Proportional Steam

"Gangable" up to (4) generator

Diagnostic LED Displays

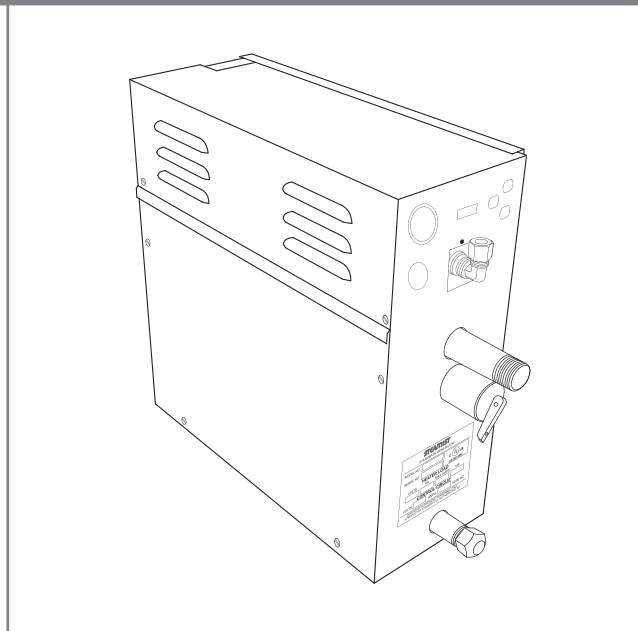
Stainless Steel Construction

Solid-State Circuitry

Codes/Standards

UL 499

UL/CUL Listed



Steam Generator Specification Chart

Model Number	Product Number	KW Rating	* Max. Cu. Ft. Range	Volts/Phase/Max. Amps	Line Fuse	Dimensions L x W x H
TSG-7	7520	7.5	250	240/1/31	40	15" x 6" x 15.5"
	7521			208/1/36	50	
	7522			240/3/18	30	
	7523			208/3/21	30	
TSG-10	1020	10	450	240/1/42	50	15" x 6" x 15.5"
	1021			208/1/48	60	
	1022			240/3/24	30	
	1023			208/3/28	40	

* Refer to sizing guidelines to accurately determine the proper size generator for the installation.
 90°C copper wire is required for generator connection. Installation shall be in accordance with NEC and local electrical codes.

Required Equipment

TSC Model Control

Required Electrical Service

Dedicated circuit required: See Specification Chart for proper electrical requirements

Product Information

Water Supply - 3/8" Compression Fitting, 120 PSI Max

Steam Line - 3/4" Brass NPT male thread

Pressure Relief Valve - 3/4" NPT female thread

Drain Line - Capped 1/2" Brass NPT male thread

Generator

Weight - 30 lbs.

Installation Notes

Steam Generators can be typically mounted within 50 ft. of the bathing area.

Steam Generators should be accessible for service.

Do NOT install near flammable material such as paints, thinners, gasoline, etc.

Steam generators must NOT be installed outdoors, in moist, humid areas, in areas prone to freezing, or extreme heat such as an unventilated attic. To do so will void the warranty.

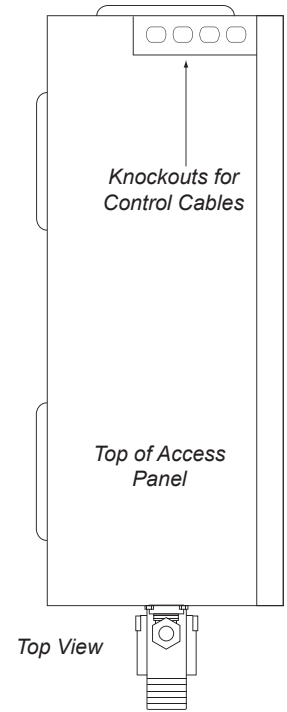
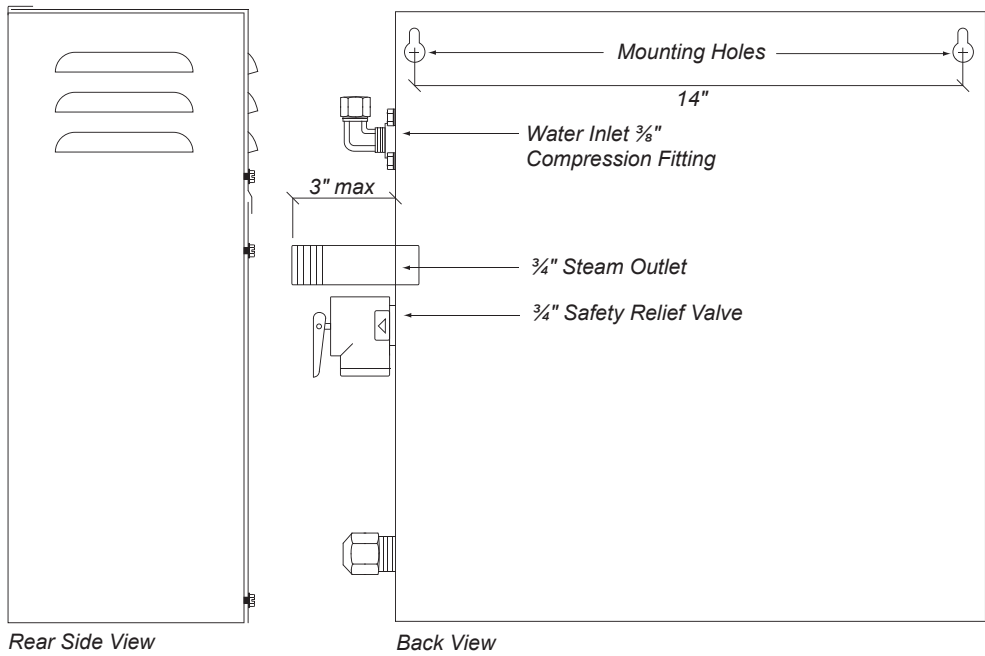
Steamhead to be mounted 12" to 18" above floor or 6" above rim of tub and as far from the seating area as possible.

Rough-in Notes

Access: 21" L x 20" W x 22" H (28" L with Auto Drain)

Dimensional Drawing

Models: TSG-7 and TSG-10



*Add $\frac{1}{4}$ " to the dimension for the louvers

