

STEAMIST®

Master/Slave Installation Instructions

Steam Generators System-18

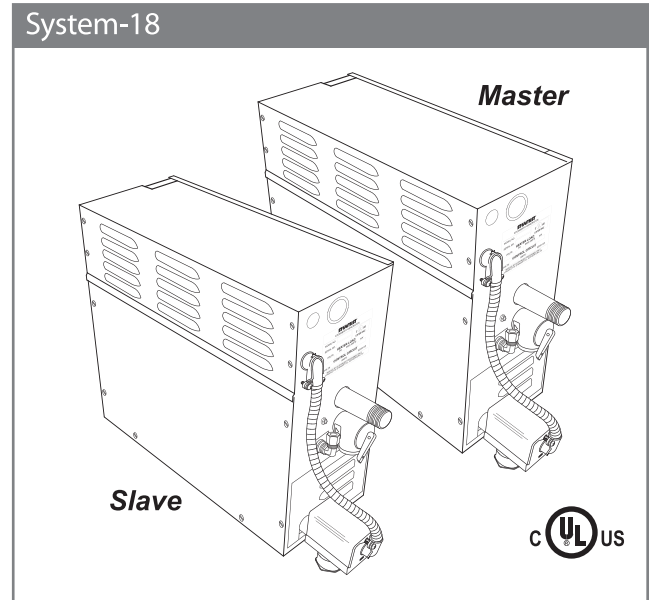
Introduction

The System-18 consists of one SM-11 Master and one SM-11 Slave. The Master/Slave Generators are 9 kilowatts each (unlike the standard SM-11 which is 11kW). This instruction sheet is to be used in conjunction with the standard SM-11 Electrical and Plumbing Instructions (Pub. No. 326 and 327). All connections, both plumbing and electrical, must be kept completely separate.

Danger: To reduce the risk of explosion, NO NOT interconnect the steam outlets.

Operation: The Master/Slave Generators operate as two completely separate generators. The systembath controls are connected to the Master Generator. When the Master Generator is started up from the controller, it then turns on the Slave Generator, and both units produce steam at the same time.

Note: The following specifications apply to each of the two Generators, wired and plumbed separately.



Electrical

Note: See separate electrical instructions, Pub. No. 327.

Main Power Connection: Each Steam Generator requires a separate incoming power service.

Important: The System-18 consists of two 9-kilowatt Steam Generators, therefore reference Specification Chart below.

Master/Slave Interconnection: The only common connection between the Master/Slave Generators is as follows: Connect the cable (supplied with Slave Unit) from Telco receptacle at Slave Unit to same at the Master Unit (see diagram on back).

Control Connection: The controls are to be connected to the Master Generator as described in the control installation instructions.

Plumbing

Note: See separate plumbing instructions, Pub. No. 326.

Water Connection: The two Generators may be connected to a single water line with a tee connection to the water inlet of each Generator.

Steam Connection: Each Generator must be connected to a separate Steamhead using 3/4" brass or copper pipe.

Drain Connection: When the optional drain connection is made, it must be completely separate from each Generator.

Safety Valve Connection: Connect Safety Valve as per local plumbing code; DO NOT interconnect the Safety Valves.

System-18 Specification Chart

Max. Cu. Ft. For Area Up To	KW	Volt	Phase	Amps	Wire Size 90°C Copper AWG	Line Fuse
650	2 @ 9	240	1	2 @ 38	2 @ 8	2 @ 50
		208	1	2 @ 44	2 @ 6	2 @ 60
		240	3	2 @ 22	2 @ 10	2 @ 30
		208	3	2 @ 25	2 @ 8	2 @ 35

System-18

