

STEAMIST®

Steam Generator

Models: SMP-12 and SMP-15

Features

Limited Lifetime warranty - 2-year in home labor warranty where available

Generator typically can be installed up to 50 ft. from the bathing area

Diagnostic LED Displays

Stainless Steel Construction

Solid-State Circuitry

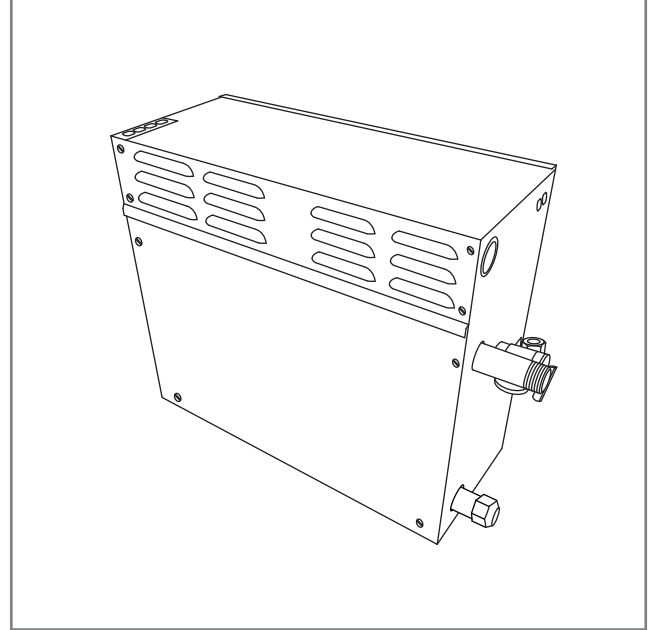
Codes/Standards

UL 499

UL/CUL Listed

City of LA - Approved

City of New York - M.E.A. Approved



Steam Generator Specification Chart

Product Number	KW Rating	*Max. Cu. Ft. Range	Volts/Phase/Max. Amps	Line Fuse	Dimensions L x W x H
SMP-12 SMP-12-208 SMP-12-208/3	12	550	240/1/50 208/1/58 208/3/33	60 70 40	17¾" x 7½" x 15½"
SMP-15 SMP-15-208 SMP-15-208/3	15	675	240/1/63 208/1/72 208/3/42	80 90 50	17¾" x 7½" x 15½"

* Refer to sizing guidelines to accurately determine the proper size generator for the installation.
90°C copper wire is required for generator connection. Installation shall be in accordance with NEC and local electrical codes.

Required Equipment

TSC Control

Required Electrical Service

Dedicated circuit required: See Specification Chart for proper electrical requirements

Product Information

Water Supply - ⅜" Compression Fitting, 120 PSI Max

Steam Line - ¾" Brass NPT male thread

Pressure Relief Valve - ¾" NPT female thread

Drain Line - Capped ½" Brass NPT male thread

Supplied with a 35' multi-conductor control cable

Generator

Weight - 41 lbs.

Installation Notes

Steam Generators can be typically mounted within 50 ft. of the bathing area.

Steam Generators should be accessible for service.

Do NOT install near flammable material such as paints, thinners, gasoline, etc.

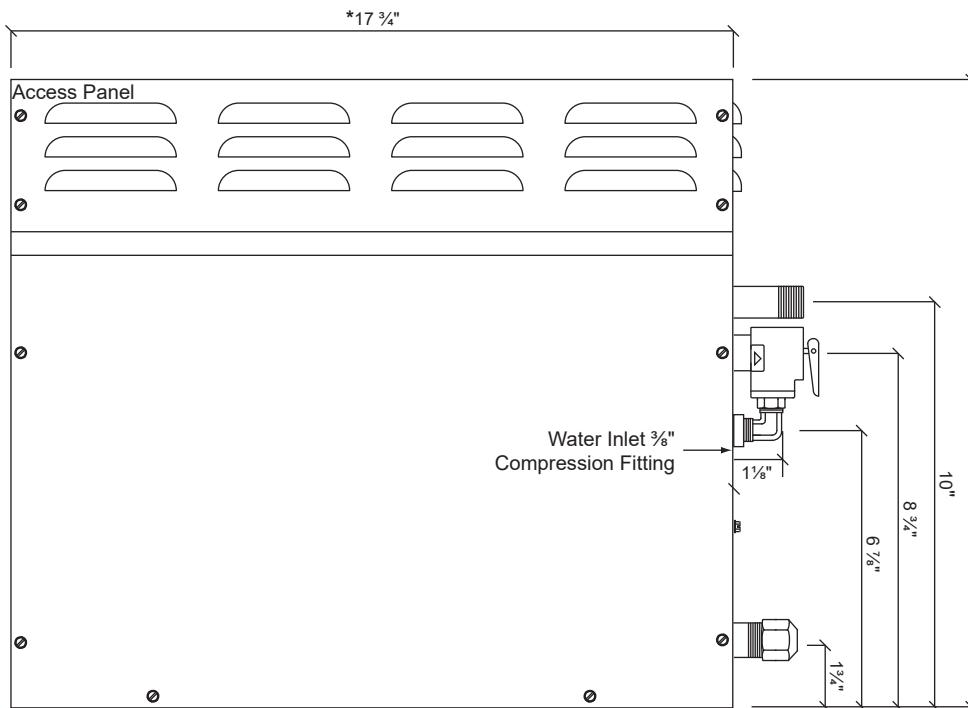
Steam generators must NOT be installed outdoors, in moist, humid areas, in areas prone to freezing, or extreme heat such as an unventilated attic. To do so will void the warranty.

Steamhead to be mounted 12" to 18" above floor or 6" above rim of tub and as far from the seating area as possible.

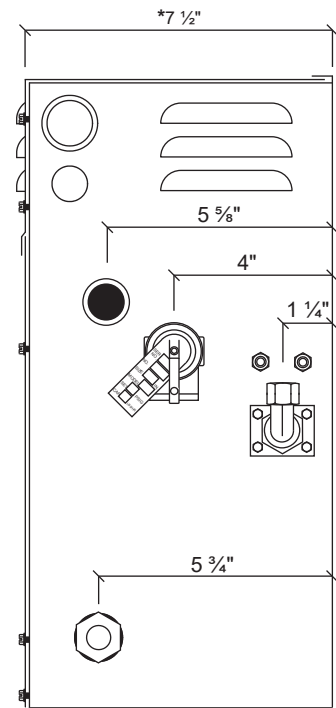
Rough-in Notes

Dimensional Drawing

Models: SMP-12 and SMP-15

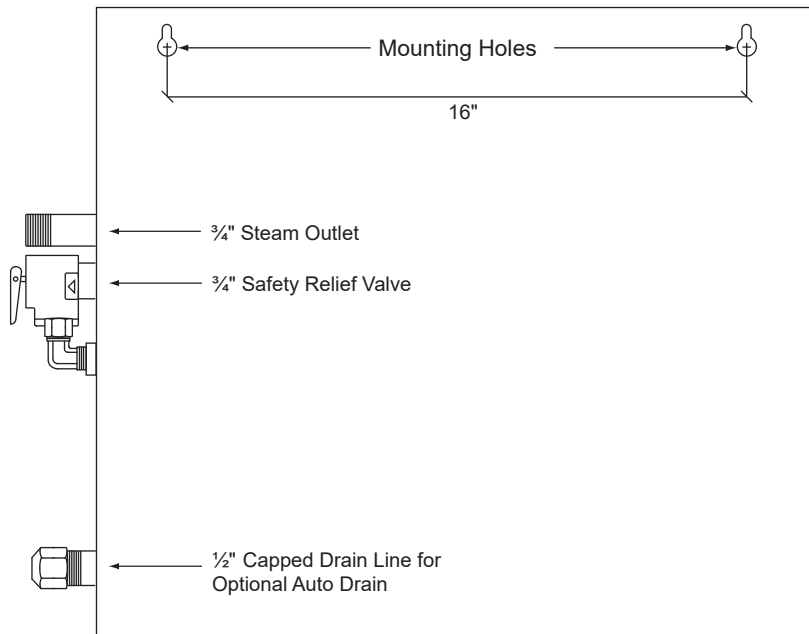


Front Access

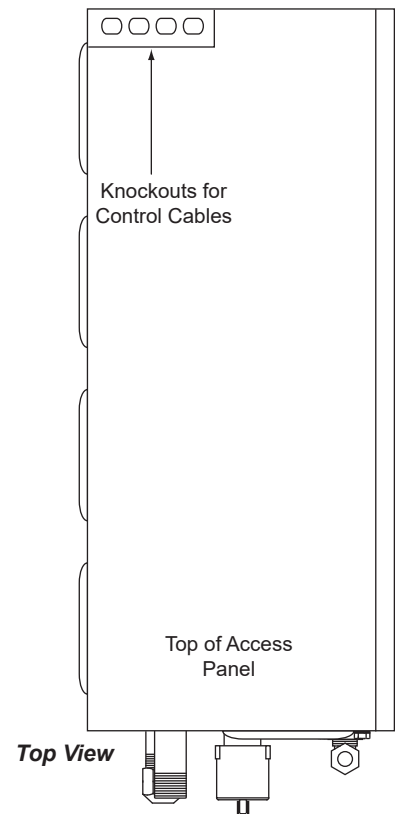


Front Side View

* Add $\frac{1}{4}"$ to the dimension for the louvers



Back View



Top View