

STEAMIST®

Steambath Generators

Models: SM-5, SM-7, SM-9, & SM-10



Important: Locate Publication No. 199 "Steam Bath Important Safety Instructions". This publication includes a Warning label that the contractor must install on the wall near the entrance to the steam room in a highly visible location. This label and its additional safety information are packaged with the generator in the envelope containing the installation instructions. If it is lost or missing contact Steamist (201-933-0700) for a replacement Publication No. 199. This publication along with all documents must be left with the owner.

The Steamist "SM" Generator operates with one or two controls appropriately located inside and/or outside the steamroom. It's small enough in size to be tucked away using very little space in a vanity, closet, basement, or an insulated attic, but large enough to provide steam for most residential baths.

The Steamist "SM" Steambath Generator comes factory assembled, carefully wired and tested.

NOTE: The SMC-120 and SMC-150 are designed to work with all Steamist "SM" Generators.

1. Pre-Installation

- Proper electrical supply (208 or 240 Volt): See rating label on Steam Generator and Chart on back page. Determine proper size of wire, voltage, amperage, and phase for the Steam Generator. 90°C copper wire is required for generator connection.
- Dedicated overcurrent protection device, such as an in-line fuse/circuit breaker required: Fuse/circuit breaker to be installed must be sized in accordance with chart on back page. Do NOT install a GFI (Ground Fault Interrupter) to this equipment (per article 210-8 in the National Electric Code).
- Route power supply cable to the location where the Steam Generator will be installed (before walls are closed).

2. Electrical Rough-in

- At this time read through the installation instructions for the selected control(s).
- Route appropriate power cable to the location the Steam Generator will be installed. If receptacle is desired, mount the box for the receptacle near the location of the Steam Generator.

NOTE: The plug and receptacle require a rating of no less than 250V and proper amperage. Refer to chart on page 4 for amperage rating.

After the walls are complete, the Steam Generator and Control can be wired.

3. Steam Generator Electrical Installation

WARNING: All power to the Steam Generator must be turned off.

- Remove the two screws holding the electrical access cover and remove cover.

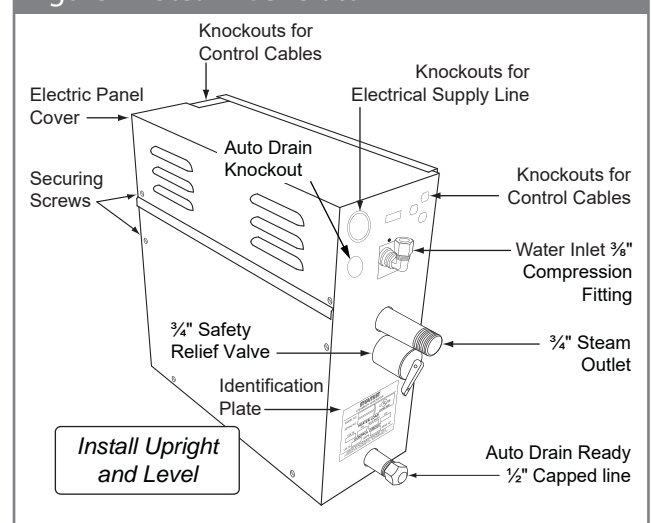
IMPORTANT: The warranty of this product is voided if it is used in a commercial application or for anything other than a residential steambath installation. All electrical connections must be performed by a licensed electrician in accordance with Local and National Electric Codes. This product is not intended for use with Home Automation systems.

- Locate the supply line knockout. Mount proper strain relief into knockout hole (see Figure 2: Internal Electrical Connections).
 - Strip back power cable's outer insulation jacket eight inches and insert into Steam Generator. Strip back insulation ½" from the three (3) incoming wires (two power and one ground).
 - Connect incoming ground wire to floating green pigtail labeled "GND."
- CAUTION:** Be sure the ground wire does not come in contact with a live electrical part.
- Connect incoming power to floating black pigtail leads labeled "L1" and "L2" (see Figure 2: Internal Electrical Connections).
 - The Steam Generator is ready for operation once the installation of the controls is completed (refer to separate Installation and Operating Instructions).

4. Optional Auto Drain Valve Connection

- Open knockout for Auto Drain Valve conduit connection.
- Route flexible conduit from valve to knockout and secure.
- Connect two wires from valve to the two place terminal strip provided (see figure 2).

Figure 1 - Steam Generator



Checklist

Models: SM-5, SM-7, SM-9, & SM-10

Before starting, insure that the conditions of the following checklist have been met:

- The proper size Steam Generator has been selected by using the sizing page in the "Full Line Brochure," "Pricing Guide," or "The Generator Sizing Guide" in the Residential Systems/Steam Bath Product Information section of the Steamist web site - www.steamist.com.
- CAUTION:** An improperly sized Steam Generator will NOT produce the amount of steam necessary to reach selected temperature.
- The proper voltage Steam Generator has been selected (i.e., 208V or 240V). A 208V Generator operating on 240V will damage the heating element, and a 240V Generator operating on 208V will result in a 25% loss of power.
- The Steam Generator is installed in an upright position.
- The proper sized 90°C copper wire and circuit breaker have been used.
- The circuit breaker is NOT a GFI (Ground Fault Interrupter) type.
- The Steam Generator is properly grounded.
- The circuit breaker or disconnect switch is on.
- Water supply is open to the Steam Generator.

Figure 2 - Internal Electrical Connections

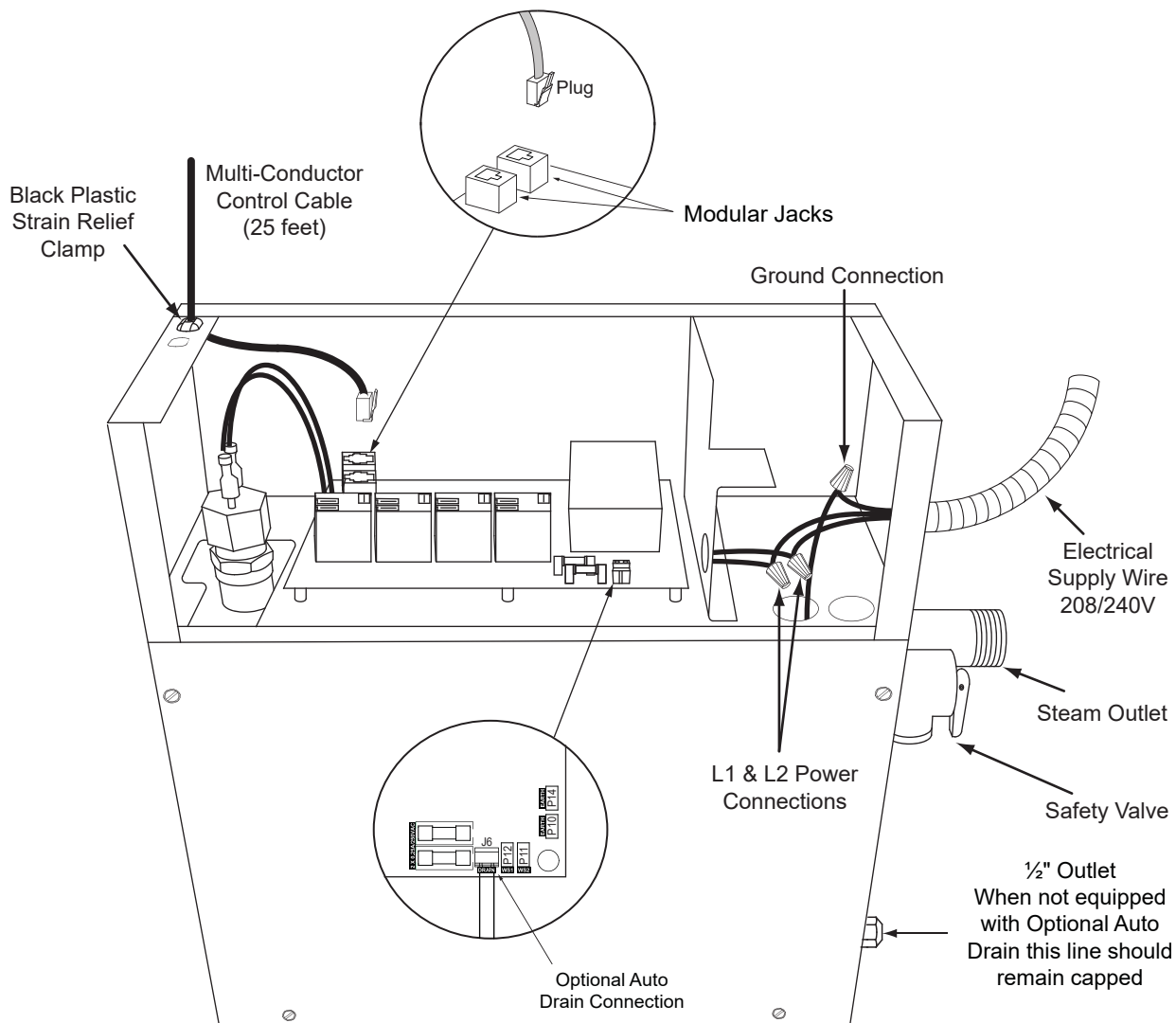


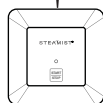
Figure 3 - Typical Installation

Models: SM-5, SM-7, SM-9, & SM-10

The Electrical Instructions must be given to the homeowner for future use.

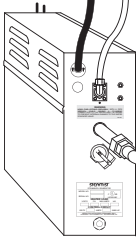
NOTE: Unit must be wired with 90°C copper wire in a suitable raceway, or, if local codes allow, provide twist lock plug on a 90°C copper wire cord from generator to a 250V 2-pole, 3-wire grounding receptacle (amperage rating as required).

SMC-120
Auxiliary Outside Control



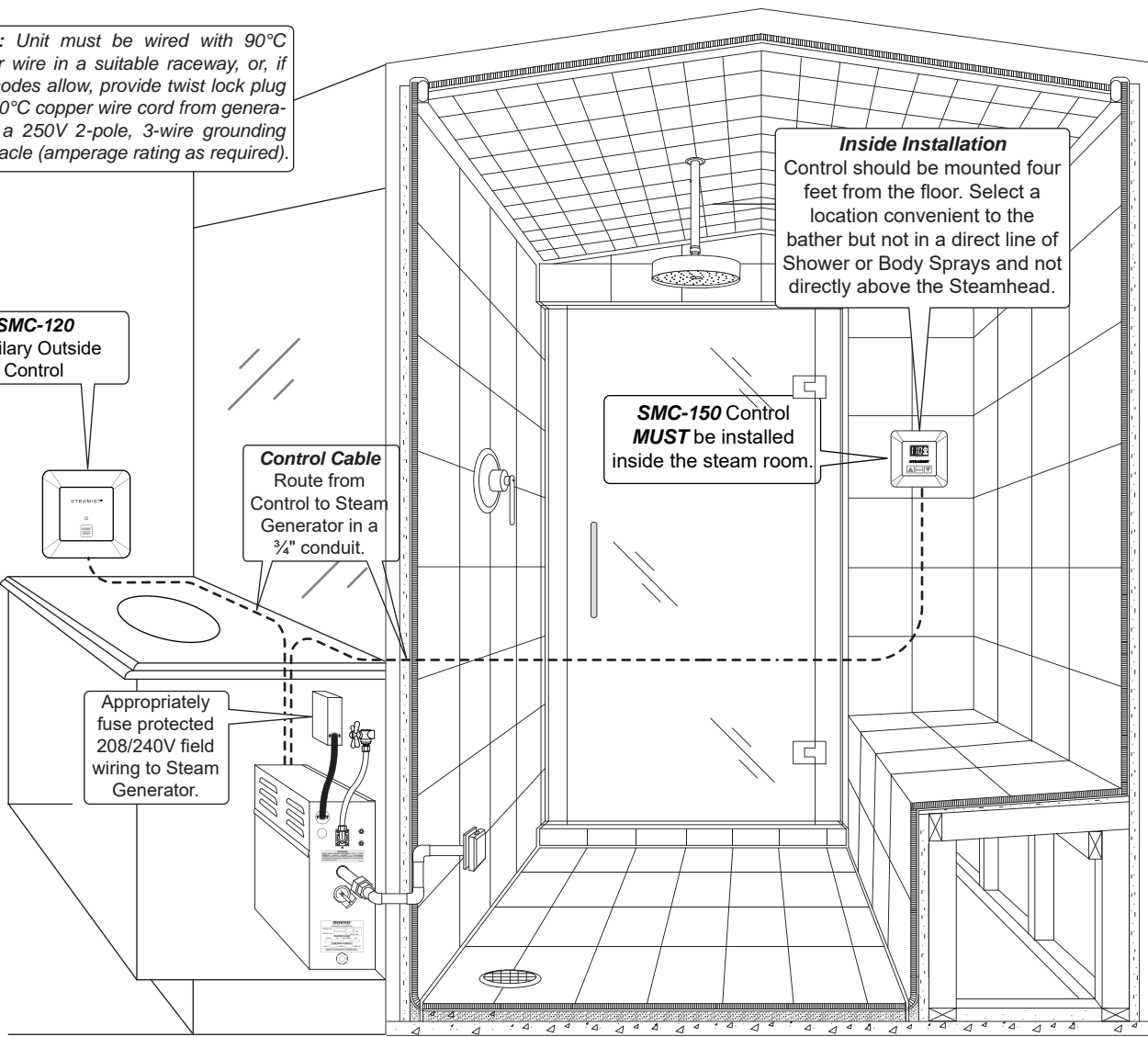
Control Cable
Route from Control to Steam Generator in a 3/4" conduit.

Appropriately fuse protected 208/240V field wiring to Steam Generator.



Inside Installation
Control should be mounted four feet from the floor. Select a location convenient to the bather but not in a direct line of Shower or Body Sprays and not directly above the Steamhead.

SMC-150 Control
MUST be installed inside the steam room.



IMPORTANT: Run the Control Cable through a 3/4" conduit. Remove protective cap when making the final connection to Control.

Wiring Diagram for Models SM-5 through SM-9

Models: SM-5, SM-7, SM-9, & SM-10

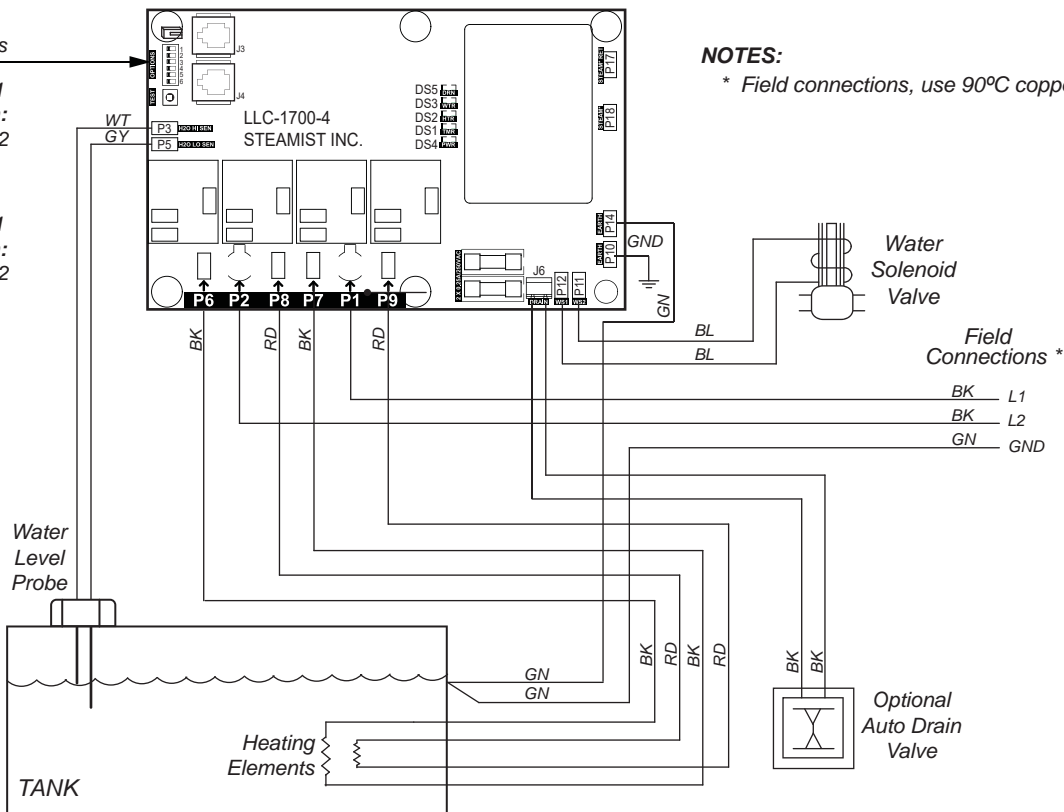
Options Switches
Auto Drain Settings



9060 / 9061
Auto Drain:
Set Switch 2
to the left



9070 / 9071
Auto Drain:
Set Switch 2
to the right



NOTES:

* Field connections, use 90°C copper wire.

Specification Chart

Model No.	Product No.	Max. Cu. Ft. For Area Up To	KW	Volt	Phase	Amps	Breaker Size
SM-5	5010	100	5	240	1	21	30
	5011			208	1	24	30
SM-7	7010	220	7	240	1	29	40
	7011			208	1	34	40
SM-9	9010	360	9	240	1	38	50
	9011			208	1	43	50
SM-10	1010	450	10	240	1	42	50
	1011			208	1	48	60

LED Chart

DS1	GRN	TIMER ON
DS2	YEL	HEATER ON
DS3	AMB	WATER FILL ON
DS4	RED	POWER ON
DS5	AMB	DRAIN ON

* 90°C copper wire is required for generator connection. Installation shall be in accordance with NEC and local electrical codes.