

STEAMIST®

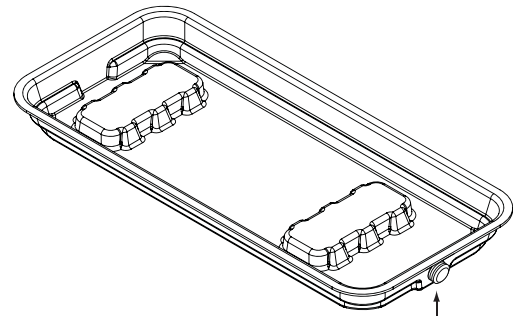
Generator Pan

Model: SM-DP

Generator Pan Installation

1. Place the SM-DP generator pan on a flat surface suitable for the Steam Generator (Pan dimensions 24" x 11" x 2"H)
2. The generator pan pipe must be ran in a manner as to not obstruct any possible flow of water out of the pan.
3. The generator pan pipe must terminate over a suitable waste receptor or extended outside the building in an observable location. The termination point must be at least 6", but not more than 24" above ground level.
4. The plumbing installation must conform to all local and national codes.
5. The generator pan pipe must be run in a continuous downward slope to acheive adequate drainage. Termination of the drain line must allow complete drainage at all times, and not be affected by freezing temperatures.
6. See separate plumbing and auto drain installation manuals for complete connection details.

Generator Pan



3/4" MGHT Male Threaded NPT
or 1/2" NPT Female

Typical Installation

