

# STEAMIST®

Bilateral Steamhead

Model: BLSH

## Product Information – BLSH

**Material:** Stainless Steel body with solid Brass Front Face Cover, available in designer Finishes

**Product No. - Finishes:**

**BLSH-PC** - Polished Chrome

**BLSH-PN** - Polished Nickel

**BLSH-BN** - Brushed Nickel

**BLSH-PG** - Polished Gold

**BLSH-ORB** - Oil Rubbed Bronze

**BLSH-BB** - Brushed Bronze

## Notes

### Installation Notes

Steamline -  $\frac{3}{4}$ " Copper or Brass NPT male thread.

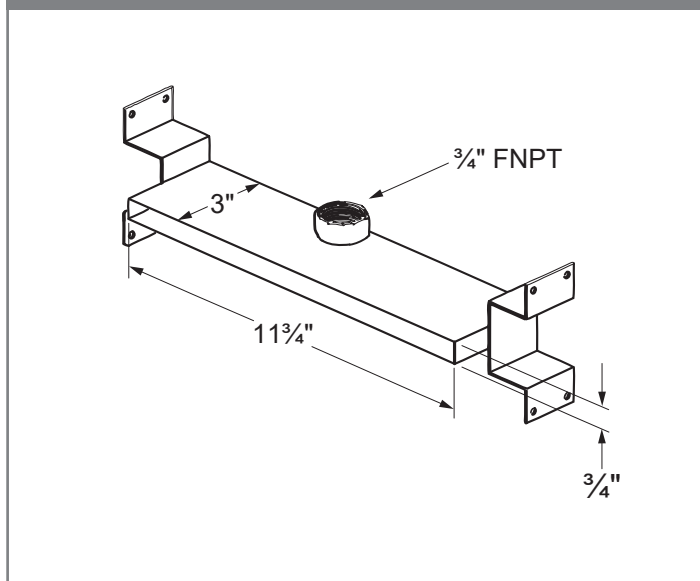
### Rough-in Notes

Steamhead may be mounted with threaded connection at top or it may be flipped, to allow for bottom connection with steam pipe.

Steamhead to be mounted 12" to 18" above the finished floor.

Steamhead is to be installed between wooden studs, which must be spaced 16" C-C.

BLSH Steamhead front view without front face cover



BLSH Steamhead front view with front face cover

